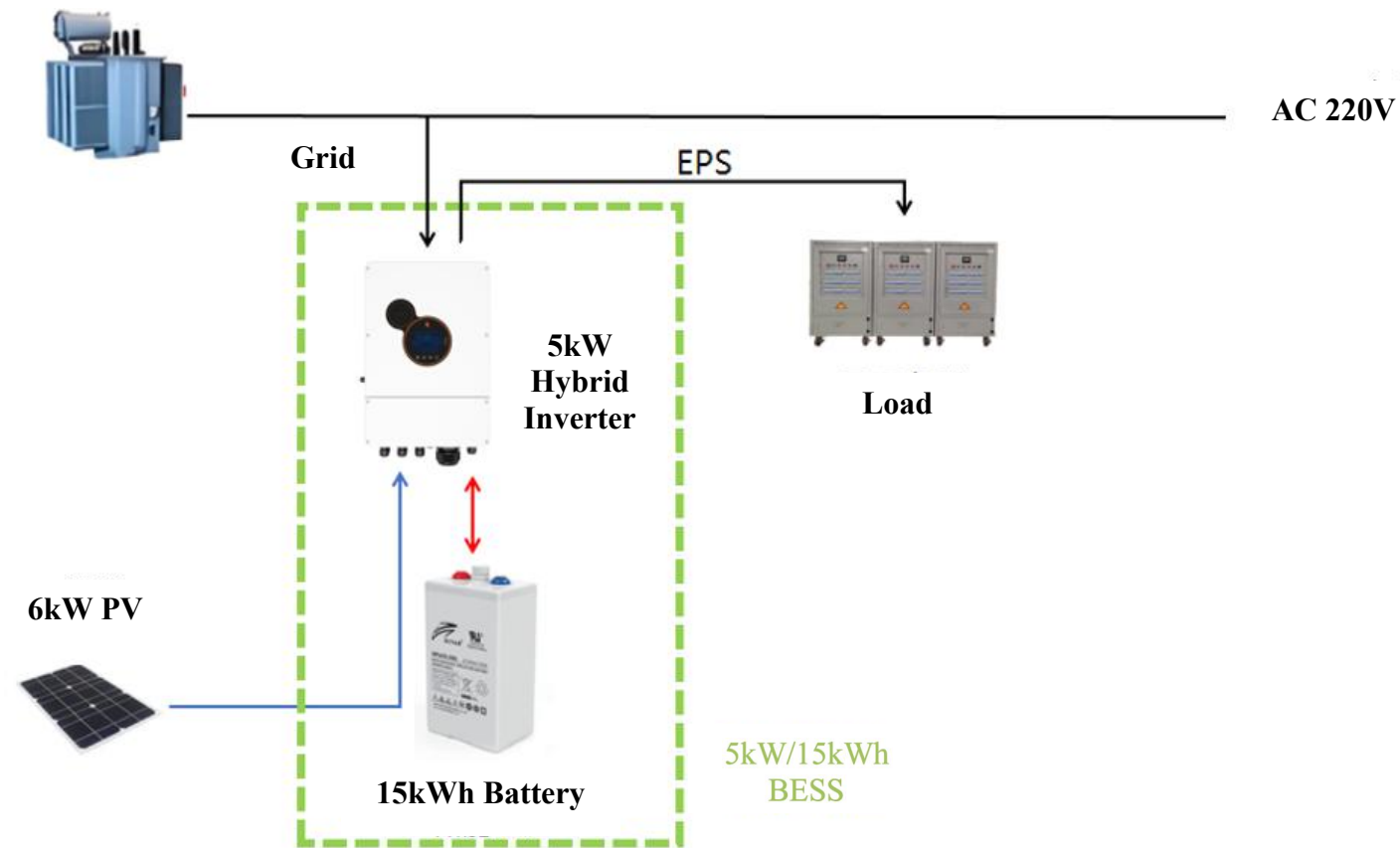


1. Compact footprint, high integration level.
2. Fully digital voltage and current dual-loop control with advanced SPWM technology, outputting pure sine wave.
3. Four selectable charging modes: PV Only, Grid Priority, PV Priority, Hybrid Charging.
4. Two output modes: Grid Bypass and Inverter Output, providing uninterrupted power supply functionality.
5. Eco Mode: Reduce no-load power consumption.
6. Intelligent speed-adjustable fans: efficient cooling and extended system lifespan.
7. Multiple protection features: comprehensive 360° safety.

### Topography:



### Technical Parameters

Model		RITAR-OPzV-15 kWh Cabinet
Grid Input	Input Voltage Range	(170V-280V) ±2% (90V-280V) ±2%
	Rated Input Voltage	220/230V
	Frequency	50Hz/60Hz
	Efficiency	>95%
	Maximum Bypass Overload Current	40A
Inverter Output	Rated Output Power	5500W
	Maximum Peak Power	11000VA
	Rated Output Voltage	230Vac
	Carrying Capacity	4HP
	Output Frequency Range	50Hz/60Hz
PV Input	MPPT Voltage Range	120-450Vdc
	Maximum Input Power	6000W
	Maximum Open Circuit Voltage	500Vdc
	Operating Voltage Range	120~500Vdc
General Parameters	Dimensions(W*H*D)	1185*650*1810mm
	Weight	900kg
	Operating Temperature	-10°C~55°C
	Humidity Range	5% ~ 95%
	Cooling Method	Intelligent air-cooled
	Communication	RS485 (WiFi/GPRS)
	Output Mode	Off-grid (Default) / hybrid
Battery Parameters	Battery Type	OPzV Solid lead battery
	Energy Storage Capacity	15kWh
	Voltage Range	43.2V-56.4V
	Battery Number	24
	Cell Voltage	2V
	Rated Battery Voltage	48Vdc